

CMD 68-V2 MID - Network meter

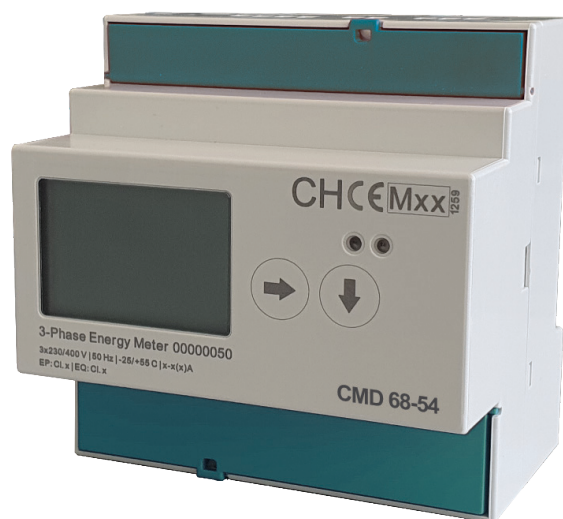
Download
data sheet



Transformer measurement N/1 and N/5 A Direct measurement up to 100 A

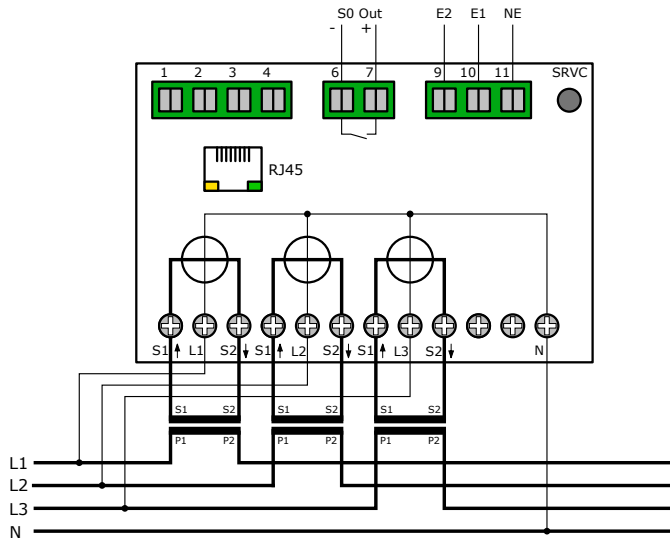
Features

- MID B+D approval
- 15-minute load profile storage with memory depth of over 3 years
- TCP/IP interface with integrated web server, NTP, Modbus TCP and API
- Obtaining the network configuration via DHCP
- Logbook for calibration-relevant events and configuration changes
- Illuminated, large and easy-to-read LCD display
- Environmental classes: E2, M2

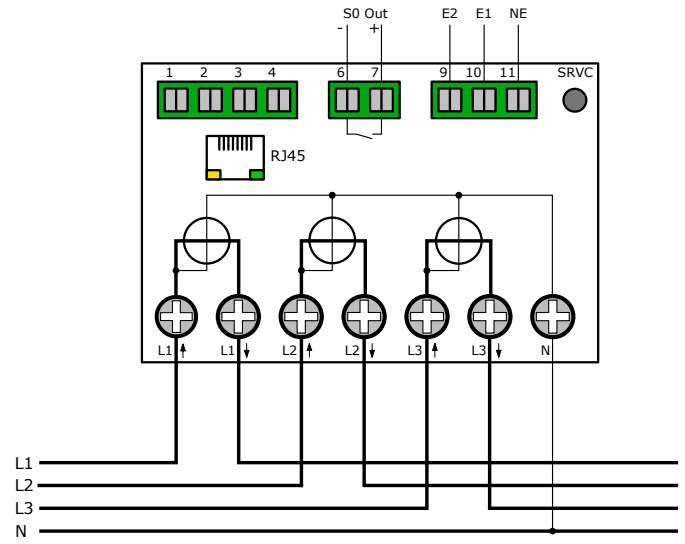


Technical data	Type	
	CMD 68-54V2 MID	CMD 68-104V2 MID
Item number	26.68.4054	26.68.4104
Communication	Modbus TCP + 1x S0	Modbus TCP + 1x S0
Voltage (U)	3x 230 / 400 V	3x 230 / 400 V
Current (I)	1 / 5 A	100 A
Frequency (Hz)	50 Hz	50 Hz
Measurement size	Active and reactive energy in delivery and supply direction	Active and reactive energy in delivery and supply direction
Meter type	illuminated LC display	illuminated LC display
Digits	7.1	7.1
Accuracy	B	B
Own consumption per phase	0.8 W	0.8 W
Temperature range	-25 ... 55 °C	-25 ... 55 °C
Terminal / housing protection class	IP20 / IP51	IP20 / IP51
Maximum wire cross section	6 mm ²	35 mm ²
Maximum wire cross section for additional terminals	2.5 mm ²	2.5 mm ²
Dimensions (WxHxD)	90 x 91 x 72 mm	90 x 91 x 72 mm
Weight	0.33 kg	0.33 kg
Non-return device	yes	yes
Number of tariffs	4	4
Pulse outputs	0.001 to 10,000 Imp / kWh Configurable via keys	0.001 to 10,000 Imp / kWh Configurable via keys

Typical connection variant



CMD 68-54V2 MID



CMD 68-104V2 MID

Dimensional drawings

