

## CMD EEG-CLP - Load profile meter

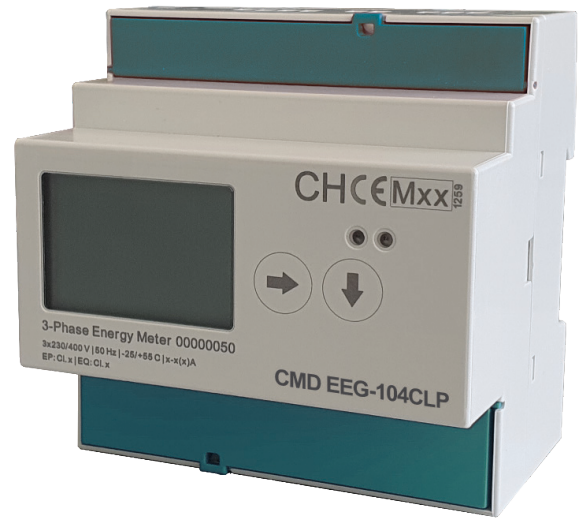
Download  
data sheet



### Transformer measurement N/1 and N/5 A Direct measurement up to 100 A

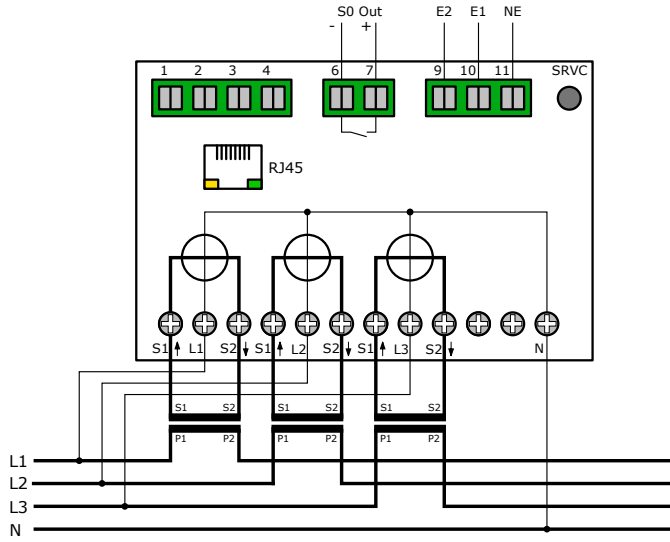
#### Features

- PTB-A 20.1 and PTB-A 50.7 approval
- MID B+D approval
- 15-minute load profile storage with memory depth of over 3 years
- TCP/IP interface with integrated web server, NTP, Modbus TCP and API
- Logbook for calibration-relevant events and configuration changes
- Illuminated, large and easy-to-read LCD display
- Environmental classes: E2, M2

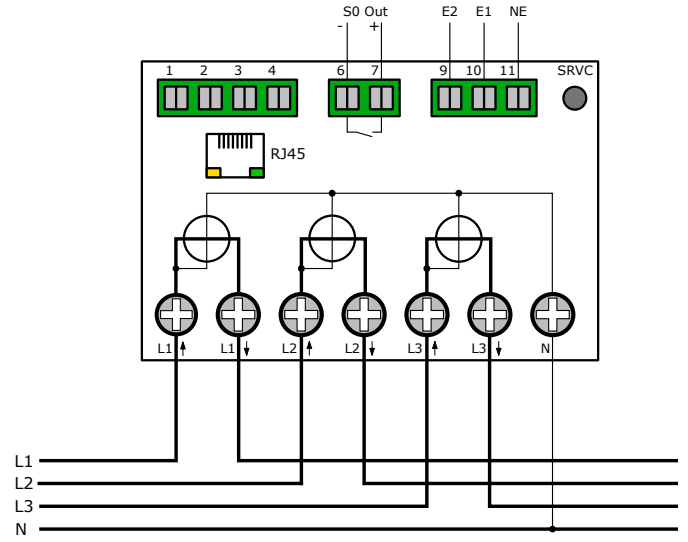


Technical data	Type	
	CMD EEG-54CLP	CMD EEG-104CLP
Item number	26.70.0054	26.70.0104
Communication	Modbus TCP + 1x S0	Modbus TCP + 1x S0
Voltage (U)	3x 230 / 400 V	3x 230 / 400 V
Current (I)	1 / 5 A	100 A
Frequency (Hz)	50 Hz	50 Hz
Measurement size	Active and reactive energy in delivery and supply direction	Active and reactive energy in delivery and supply direction
Meter type	illuminated LC display	illuminated LC display
Digits	7.1	7.1
Accuracy	B	B
Own consumption per phase	0.8 W	0.8 W
Temperature range	-25 ... 55 °C	-25 ... 55 °C
Terminal / housing protection class	IP20 / IP51	IP20 / IP51
Maximum wire cross section	6 mm <sup>2</sup>	35 mm <sup>2</sup>
Maximum wire cross section for additional terminals	2.5 mm <sup>2</sup>	2.5 mm <sup>2</sup>
Dimensions (WxHxD)	90 x 91 x 72 mm	90 x 91 x 72 mm
Weight	0.33 kg	0.33 kg
Non-return device	yes	yes
Number of tariffs	4	4
Pulse outputs	0.001 to 10,000 Imp / kWh Configurable via keys	0.001 to 10,000 Imp / kWh Configurable via keys

Typical connection variant



CMD EEG-54CLP



CMD EEG-104CLP

Dimensional drawings

